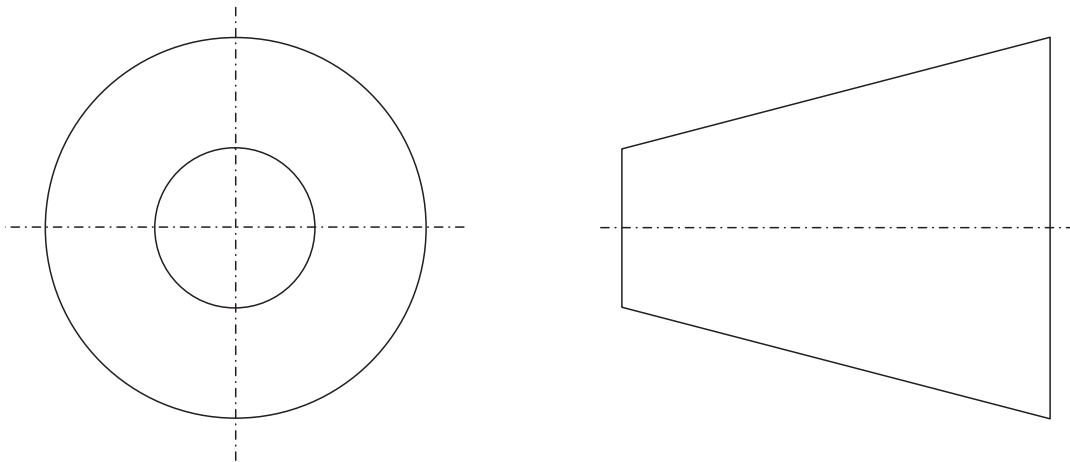


Drafting standards

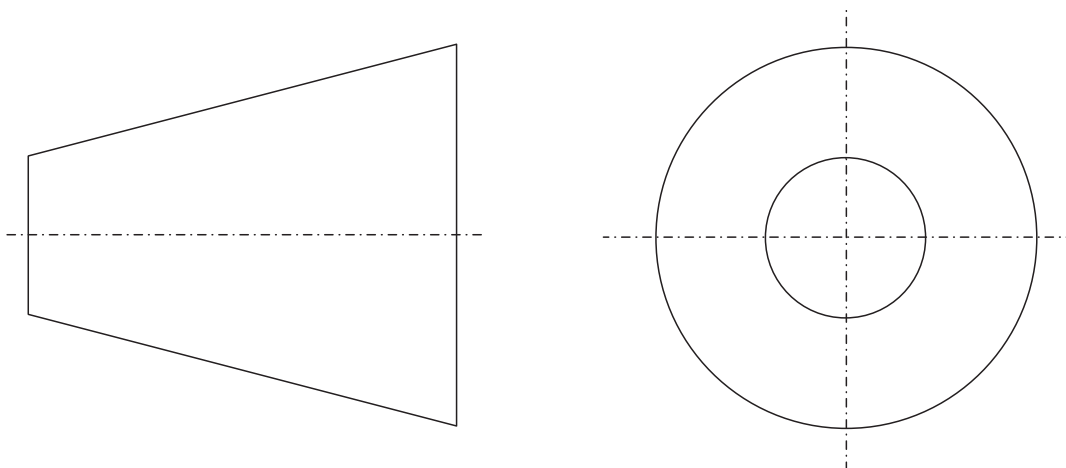
- Difference between european and american projection



American drafting standard



European drafting standard



This method is used on all Wandfluh data sheets