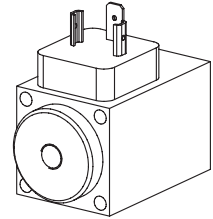


**Solenoid SIN35V
to VDE 0580
Plug plate to ISO 4400/DIN 43650
Protection class IP65**



DESCRIPTION

The SIN35V is a switching solenoid. Its design corresponds to VDE standard 0580. The steel housing is zinc coated as a standard. Static pressure-tightness is 160 bars. All o-rings are Viton. The solenoids are fixed to the valve with four screws. Depending on the intended use, the solenoid can be supplied with a plug screw, or with integrated manual override. The connector plate corresponds to ISO 4400 and DIN 43650.

FUNCTION

When the solenoid is energised with the specified nominal voltage, the armature moves from the starting position of its stroke ($s=3,2$ mm) to the end position ($s=0$ mm). The switching time is essentially dependent on the application. The power-stroke characteristics are de-signed to suit the requirements of hydraulic valves. AC versions include an electronic rectifier integrated into the connector plate. In this way maximum performance is assured.

APPLICATION

Essential for hydraulic directional and poppet valves. Because of the risk of overheating, the solenoid must never be used separately. The length of the fixing screws depends on the base material of the body. An o-ring is used for the valve seal. Information on screws and o-rings will be found in the data sheets relating to the valves concerned. Before changing the plug screw or the screw with integrated manual override, care must be taken to ensure that the solenoid is not under pressure. Risk of injury! The maximum operating pressure is determined by the valve actually used.

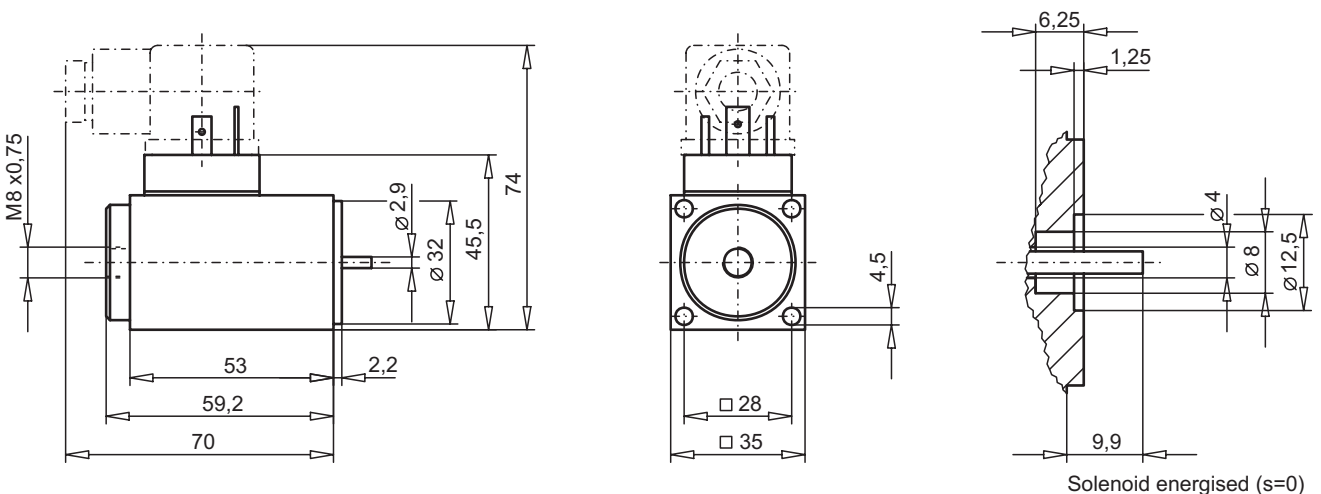
CONTENTS

DIMENSIONS 1
 CHARACTERISTICS 2
 PERFORMANCE 2
 ACCESSOIRES 2

TYPE CODE

Solenoid	SI	N	35	V	-		-		#	
Industry version										
Normally										
Square 35 mm housing										
Solenoid completely potted										
Standard-Nominal voltage U_N										
			12 VDC							G12
			24 VDC							G24
			110 VAC							R110 *
			115 VAC							R115 *
			230 VAC							R230 *
AC= 50 to 60 Hz										
* Rectifier integrated in the plug plate										
Other nominal voltages and nominal power on request										
with mounted plug (data sheet 1.1-300)										HB0
with mounted manual override (data sheet 1.1-300)										HB4,5
with mounted special manual override (data sheet 1.1-310)										H...
Design-Index (Subject to change)										

DIMENSIONS



CHARACTERISTICS

Static pressure tightness	160 bar (seal diameter of valve max. 27 mm) With seal diameter of valve = 32mm Static pressure tightness = 120 bar
Coil winding insulation class	F
Connection/Power supply	Over device plug connection to ISO 4400/ DIN 43650, (2P+E), other connections on request
Protection class EN 60529	IP65
Relative duty factor	100%
Reference temperature	50°C
Seal	Viton, other on request
Fluid	Mineral oil, other fluid on request
Switching cycles	15'000/h
Mounting screws	4xM4 (Quality 8.8)
Housing	Zinc coated steel housing, other surface treatments on request

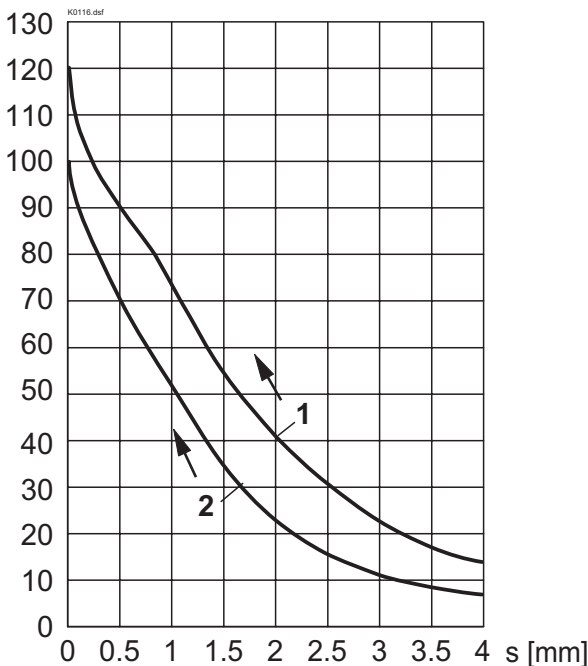
		DC	AC
Totale stroke	(mm)	4	4
Working stroke	(mm)	1,7	1,7
Nominal power	(W)	22	
	(VA)		25
Armature weight	(kg)	0,038	0,038
Solenoid weight	(kg)	0,45	0,45
Voltage range	(VDC)	10-250	
	(VAC)		24-250

	12VDC	24VDC	115VAC	230VAC
Nominal resistance (Ω)	7,2	25	420	1'500
Number of windings (-)	800	1'550	5'930	11'400
Inductivity (mH)	6	22	-	-

PERFORMANCE

F = f (s) Force-stroke characteristics

F [N]



1: $U = 100\% U_N$ Reference temperature = 20°C (20W)
 2: $U = 90\% U_N$ Reference temperature = 50°C
 Solenoid in operating temperature (12W)

 The values refer to $U_N = 24$ VDC.

With other nominal voltages deviations can occur.

For curve 2 the solenoid has been mounted on a body □ 38x54.

ACCESSOIRES

Plug HB0	* Article No. 239.2033
Plug with integrated manual override HB4,5	* Article No. 253.8000
	* acc. data sheet 1.1-300
Special manual override	see data sheet 1.1-310
Plug grey	Article No. 219.2001
Plug black	Article No. 219.2002

Technical explanation see data sheet 1.1-400E