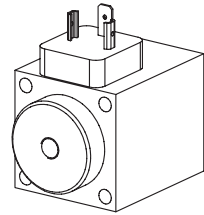


**Solenoid SIS45V
 to VDE 0580
 Plug plate to ISO 4400/DIN 43650
 Protection class IP65**

DESCRIPTION

The SIS45V is a switching solenoid. Its design corresponds to VDE standard 0580. The steel housing has a zinc coated finish as standard. Static pressure-tightness is 350 bars. All o-rings are Viton. The solenoids are fixed to the valve with four screws. Depending on the intended use, the solenoid can be supplied with a plug screw, or with integrated manual override. The connector plate corresponds to ISO 4400 and DIN 43650.

FUNCTION

When the solenoid is energised with the specified nominal voltage, the armature moves from the starting position of its stroke ($s=5,5$ mm) to the end position ($s=0$ mm). The switching time is essentially dependent on the application. The power-stroke characteristics are de-signed to suit the requirements of hydraulic valves. AC versions include an electronic rectifier integrated into the connector plate. In this way maximum performance is assured.

APPLICATION

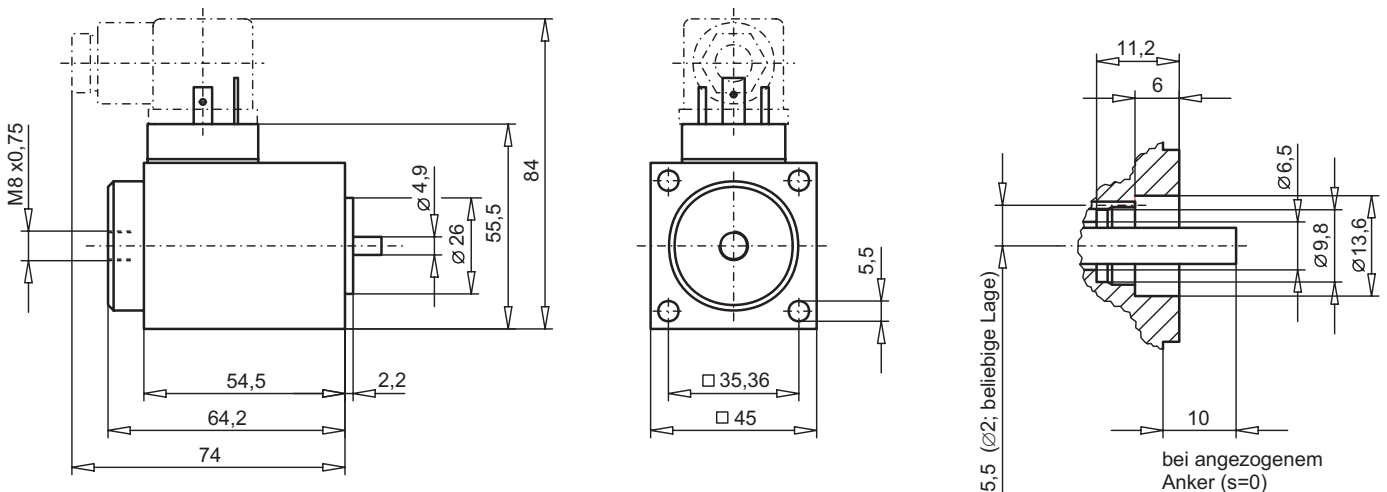
Essential for hydraulic directional and poppet valves. Because of the risk of overheating, the solenoid must never be used separately. The length of the fixing screws depends on the base material of the body. An o-ring is used for the valve seal. Information on screws and o-rings will be found in the data sheets relating to the valves concerned. Before changing the plug screw or the screw with integrated manual override, care must be taken to ensure that the solenoid is not under pressure. Risk of injury! The maximum operating pressure is determined by the valve actually used.

CONTENTS

| | |
|-----------------------|---|
| DIMENSIONS | 1 |
| CHARACTERISTICS | 2 |
| PERFORMANCE | 2 |
| ACCESSOIRES | 2 |

TYPE CODE

| | | | | | | | | | |
|---|---------|------|---|----|---|---|---|---|---|
| | | SI | S | 45 | V | - | - | # | □ |
| Solenoid | | | | | | | | | |
| Industry version | | | | | | | | | |
| Super | | | | | | | | | |
| Square 45 mm housing | | | | | | | | | |
| Solenoid completely potted | | | | | | | | | |
| Standard-Nominal voltage U_N | 12 VDC | G12 | | | | | | | |
| | 24 VDC | G24 | | | | | | | |
| | 110 VAC | R110 | | * | | | | | |
| | 115 VAC | R115 | | * | | | | | |
| | 230 VAC | R230 | | * | | | | | |
| AC= 50 to 60 Hz | | | | | | | | | |
| * Rectifier integrated in the plug plate | | | | | | | | | |
| Other nominal voltages and nominal power on request | | | | | | | | | |
| with mounted plug (data sheet 1.1-300) | HB0 | | | | | | | | |
| with mounted manual override (data sheet 1.1-300) | HB6 | | | | | | | | |
| with mounted special manual override (data sheet 1.1-310) | H... | | | | | | | | |
| Design-Index (Subject to change) | | | | | | | | | |

DIMENSIONS


CHARACTERISTICS

| | |
|-------------------------------|--|
| Static pressure tightness | 350 bar (seal diameter of valve max. 25 mm) With seal diameter of valve = 26 mm: Static pressure tightness = 315 bar |
| Coil winding insulation class | F |
| Connection/Power supply | Over device plug connection to ISO 4400/DIN 43650, (2P+E), other connections on request |
| Protection class to EN 60529 | IP65 |
| Relative duty factor | 100% |
| Reference temperature | 50°C |
| Seal | Viton, other on request |
| Fluid | Mineral oil, other fluid on request |
| Switching cycles | 15'000/h |
| Mounting screws | 4xM5 (Quality 8.8) |
| Housing | Zinc coated steel housing, other surface treatments on request. |

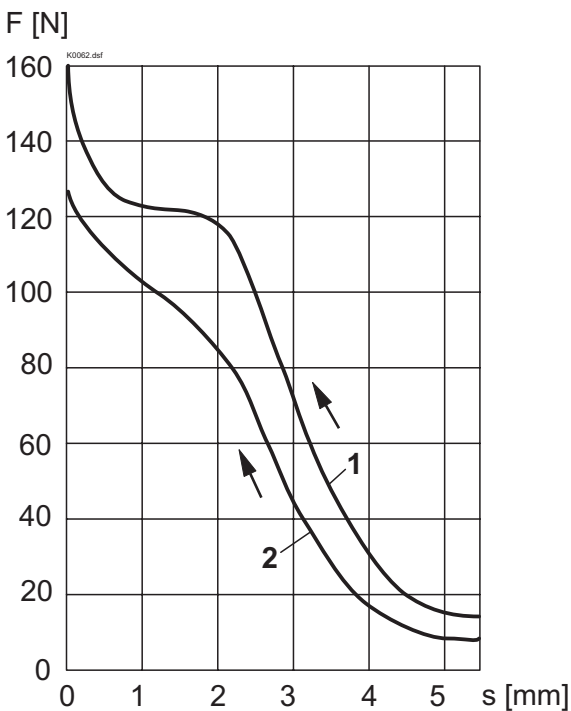
| | | DC | AC |
|-----------------|-------|--------|---------|
| Totale stroke | (mm) | 5,5 | 5,5 |
| Working stroke | (mm) | 2,5 | 2,5 |
| Nominal power | (W) | 30 | |
| | (VA) | | 35 |
| Armature weight | (kg) | 0,044 | 0,044 |
| Solenoid weight | (kg) | 0,76 | 0,76 |
| Voltage range | (VDC) | 10-250 | |
| | (VAC) | | 40-250* |

* For AC voltages below 40 VAC DC solenoids plus rectifier plugs are available.
 21 VDC to 24 VAC
 32 VDC to 36 VAC

| | 12VDC | 24VDC | 115VAC | 230VAC |
|------------------------|-------|-------|--------|--------|
| Nominal resistance (Ω) | 5 | 21,8 | 445 | 1'400 |
| Number of windings (-) | 770 | 1'560 | 7'000 | 13'000 |
| Inductivity (mH) | 19 | 82 | | |

PERFORMANCE

F = f (s) Force-stroke characteristics



1: U = 100 % U_N Reference temperature = 20°C (30W)
 2: U = 90 % U_N Reference temperature = 50°C
 Solenoid in operating temperature (19W)

The values refer to U_N = 24 VDC.
 With other nominal voltages deviations can occur.
 For curve 2 the solenoid has been mounted on a body □ 46x64.

ACCESSOIRES

| | |
|--|---------------------------|
| Plug HB0 | * Article No. 239.2033 |
| Plug with integrated manual override HB6 | * Article No. 253.8001 |
| | * acc. data sheet 1.1-300 |
| Special manual override | see data sheet 1.1-310 |
| Plug grey | Article No. 219.2001 |
| Plug black | Article No. 219.2002 |
| Rectifier plug grey | Article No. 219.2105 |
| Rectifier plug black | Article No. 219.2106 |

Technical explanation see data sheet 1.1-400E