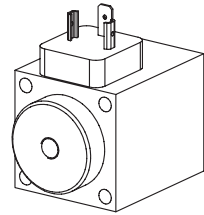


**Proportional solenoid PI45V-...-M40
to VDE 0580
Plug plate to ISO 4400/DIN 43650
Protection class IP65**



DESCRIPTION

The PI45V is a proportional solenoid. Its design corresponds to VDE standard 0580. The steel housing has a zinc coated finish as standard. Static pressure-tightness is 350 bars. All o-rings are Viton. The solenoids are fixed to the valve with four screws. Depending on the intended use, the solenoid can be supplied with a plug screw, or with integrated manual override. The connector plate corresponds to ISO 4400 and DIN 43650.

FUNCTION

The horizontal force-stroke characteristics in the working stroke range means that:

- a more or less linear force absorption can be achieved with constant stroke and increasing current absorption;
- a more or less linear stroke variation can be achieved when working against a spring and with increasing current absorption.

This ensures that the reference voltage is adequate at the specified reference temperature to reach the limit current in every case.

APPLICATION

Essential for hydraulic proportional-way-, pressure- and current valves. Because of the risk of overheating, the solenoid must never be used separately. The length of the fixing screws depends on the base material of the body. An o-ring is used for the valve seal. Information on screws and o-rings will be found in the data sheets relating to the valves concerned. Before changing the plug screw or the screw with integrated manual override, care must be taken to ensure that the solenoid is not under pressure. Risk of injury! The maximum operating pressure is determined by the valve actually used.

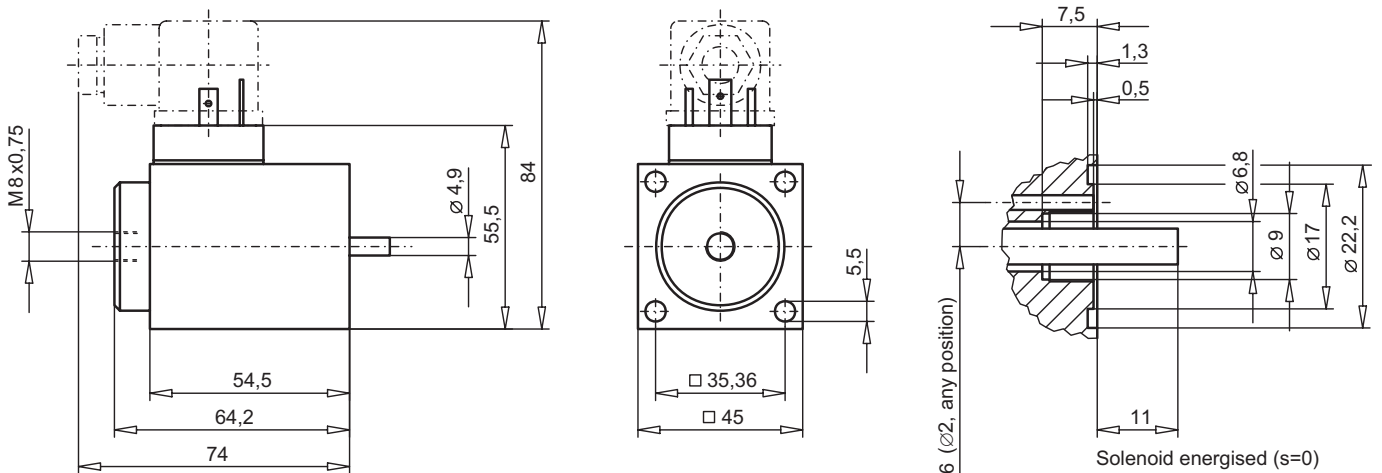
CONTENTS

DIMENSIONS 1
 CHARACTERISTICS 2
 PERFORMANCE 2
 ACCESSOIRES 2

TYPE CODE

			PI 45 V - <input type="checkbox"/> - M40 - <input type="checkbox"/> # <input type="checkbox"/>
Proportional solenoid Industry version			
Square 45 mm housing			
Solenoid completely potted			
Reference voltage	12 VDC	<input type="checkbox"/> G12	
	24 VDC	<input type="checkbox"/> G24	
Additional marking for special sealing to valve			
with mounted plug (data sheet 1.1-300)		<input type="checkbox"/> HB0	
with mounted manual override (data sheet 1.1-300)		<input type="checkbox"/> HB6	
Design-Index (Subject to change)			

DIMENSIONS



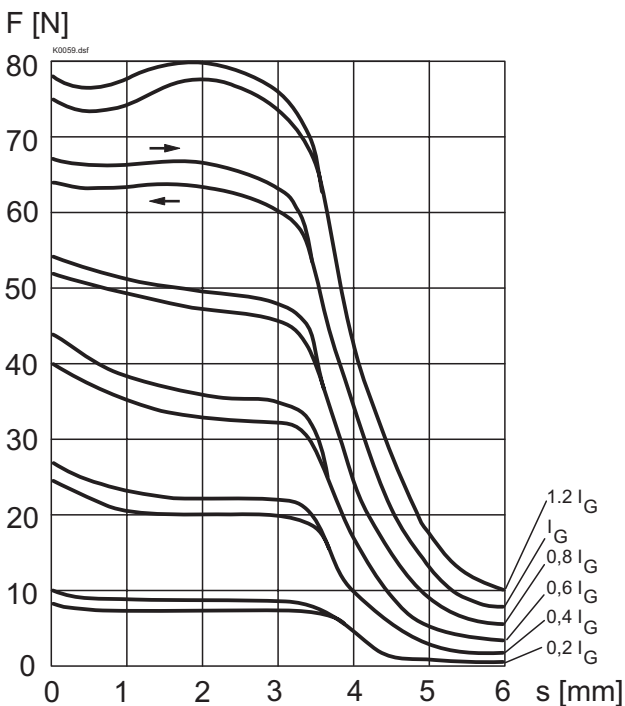
CHARACTERISTICS

Static pressure tightness	350 bar (seal diameter of valve max. 25 mm)
Coil winding insulation class	F
Connection/Power supply	Over device plug connection to ISO 4400/DIN 43650, (2P+E), other connections on request
Protection class EN 60529	IP65
Relative duty factor	100%
Reference temperature	50°C
Seal	Viton, other on request
Fluid	Mineral oil, other fluid on request
Mounting screws	4xM5 (Quality 8.8)
Housing	Zinc coated steel housing, other surface treatments on request

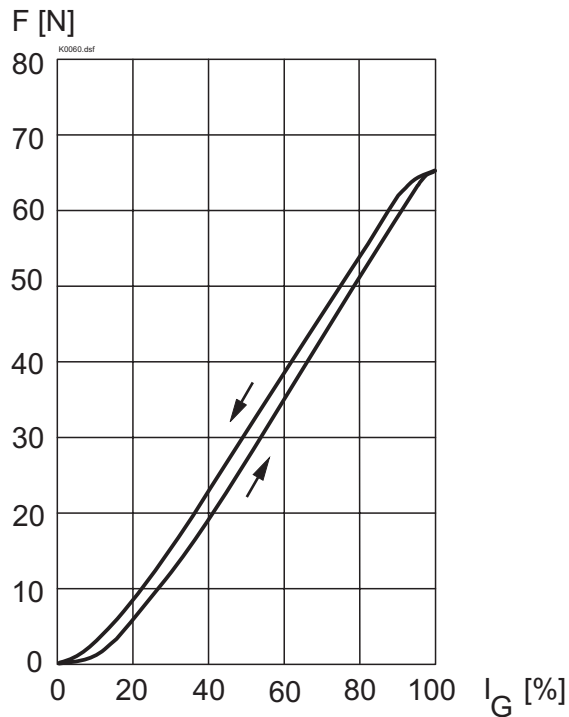
		12VDC	24VDC
Totale stroke	(mm)	6	6
Working stroke	(mm)	3	3
Rated force	(N)	65	65
Hysteresis of rated force	(%)	5	5
Hysteresis of rated current	(%)	3,5	3,5
Nom. linearity deviation	(%)	2	2
Rated resistance	(Ω)	5	21,8
Rated current	(A)	1,78	0,81
Limiting current	(A)	1,78	0,81
Linearity current	(A)	0,3	0,15
Actuation current	(A)	0,04	0,02
Nominal wattage	(W)	15,8	14,3
Limiting current	(W)	21	20
Number of windings	(-)	770	1'560
Inductivity	(mH)	19	82
Armature weight	(kg)	0,044	0,044
Solenoid weight	(kg)	0,76	0,76

PERFORMANCE

F = f (s) Force-stroke characteristics



F = f (I) Force-current characteristics


ACCESSOIRES

Plug HB0	* Article No. 239.2033
Plug with integrated manual override HB6	* Article No. 253.8001
	* acc. data sheet 1.1-300

Plug grey	Article No. 219.2001
Plug black	Article No. 219.2002

Technical explanation see data sheet 1.1-410E