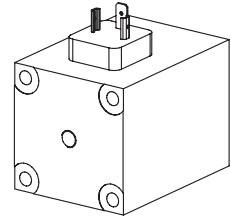


**Solenoid SIS60V
to VDE 0580
Plug plate to ISO 4400/DIN 43650
Protection class IP65**



DESCRIPTION

The SIS60V is a switching solenoid. Its design corresponds to VDE standard 0580. The steel housing is zinc coated as a standard. Static pressure-tightness is 350 bars. All o-rings are Viton. The solenoids are fixed to the valve with four screws. Depending on the intended use, the solenoid can be supplied with a plug screw, or with integrated manual override. The connector plate corresponds to ISO 4400 and DIN 43650.

FUNCTION

When the solenoid is energised with the specified nominal voltage, the armature moves from the starting position of its stroke ($s=8,5$ mm) to the end position ($s=0$ mm). The switching time is essentially dependent on the application. The power-stroke characteristics are de-signed to suit the requirements of hydraulic valves. AC versions include an electronic rectifier integrated into the connector plate. In this way maximum performance is assured.

APPLICATION

Essential for hydraulic directional and poppet valves. Because of the risk of overheating, the solenoid must never be used separately. The length of the fixing screws depends on the base material of the body. An o-ring is used for the valve seal. Information on screws and o-rings will be found in the data sheets relating to the valves concerned. Before changing the plug screw or the screw with integrated manual override, care must be taken to ensure that the solenoid is not under pressure. Risk of injury! The maximum operating pressure is determined by the valve actually used.

CONTENTS

DIMENSIONS 1
 CHARACTERISTICS 2
 PERFORMANCE 2
 ACCESSOIRES 2

TYPE CODE

SI S 60 V - - #

Solenoid
 Industry version
 Super
 Square 60 mm housing
 Solenoid completely potted

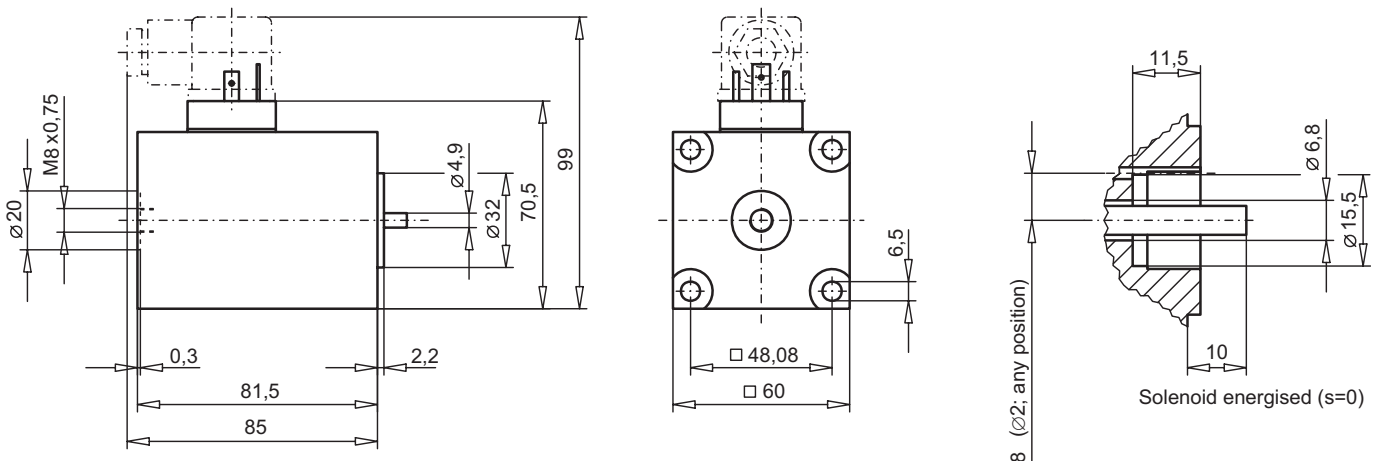
Standard-Nominal voltage U_N	12 VDC	<input type="text" value="G12"/>
	24 VDC	<input type="text" value="G24"/>
	110 VAC	<input type="text" value="R110"/> *
	115 VAC	<input type="text" value="R115"/> *
	230 VAC	<input type="text" value="R230"/> *

AC= 50 to 60 Hz
 * Rectifier integrated in the plug plate
 Other nominal voltages and nominal power on request

with mounted plug (data sheet 1.1-300)	<input type="text" value="HB0"/>
with mounted manual override (data sheet 1.1-300)	<input type="text" value="HB8,5"/>
with mounted special manual override (data sheet 1.1-310)	<input type="text" value="H..."/>

Design-Index (Subject to change)

DIMENSIONS



CHARACTERISTICS

Static pressure tightness	350 bar (seal diameter of valve max. 29 mm) With seal diameter of valve = 32 mm: Static pressure tightness = 315 bar
Coil winding insulation class	F
Connection/Power supply	Over device plug connection to ISO 4400/DIN 43650, (2P+E), other connections on request
Protection class EN 60529	IP65
Relative duty factor	100%
Reference temperature	50°C
Seal	Viton, other on request
Fluid	Mineral oil, other fluid on request
Switching cycles	15'000/h
Mounting screws	4xM6 (Quality 8.8)
Housing	Zinc coated steel housing, other surface treatments on request.

		DC	AC
Totale stroke	(mm)	8,5	8,5
Working stroke	(mm)	4	4
Nominal power	(W)	40	
	(VA)		46
Armature weight	(kg)	0,102	0,102
Solenoid weight	(kg)	1,90	1,90
Voltage range	(VDC)	10-250	
	(VAC)		50-250*

* For AC voltages below 50 VAC DC solenoids plus rectifier plugs are available.

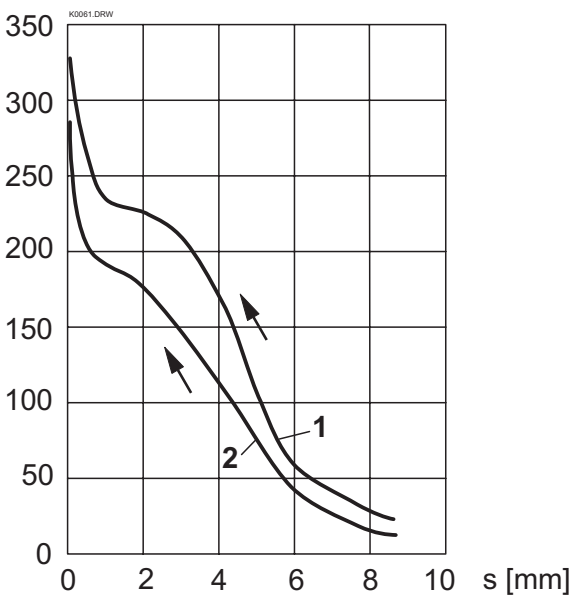
21 VDC to 24 VAC
32 VDC to 36 VAC
36 VDC to 42 VAC
42 VDC to 48 VAC

	12VDC	24VDC	115VAC	230VAC
Nominal resistance (Ω)	4	16,5	260	920
Number of windings (-)	780	1'580	5'710	11'200
Inductivity (mH)	17	65	-	-

PERFORMANCE

F = f (s) Force-stroke characteristics

F [N]



1: U = 100 % U_N Reference temperature = 20°C (40W)
 2: U = 90 % U_N Reference temperature = 50°C
 Solenoid in operating temperature (25W)

The values refer to U_N = 24 VDC.

With other nominal voltages deviations can occur.

For curve 2 the solenoid has been mounted on a body □ 62x93.

ACCESSOIRES

Plug HB0 * Article No. 239.2033
 Plug with integrated manual override HB8,5 * Article No. 253.8002
 * acc. data sheet 1.1-300

Special manual override see data sheet 1.1-310

Plug grey Article No. 219.2001
 Plug black Article No. 219.2002

Rectifier plug grey Article No. 219.2105
 Rectifier plug black Article No. 219.2106