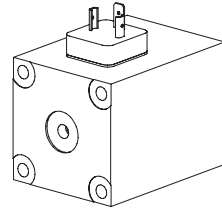


**Proportional solenoid PI60V-...-M40
to VDE 0580**
Plug plate to ISO 4400/DIN 43650
Protection class IP65



DESCRIPTION

The PI60V is a proportional solenoid. Its design corresponds to VDE standard 0580. The steel housing is zinc coated as a standard. Static pressure-tightness is 350 bars! All o-rings are Viton. The solenoids are fixed to the valve with four screws. Depending on the intended use, the solenoid can be supplied with a plug screw, or with integrated manual override. The connector plate corresponds to ISO 4400 and DIN 43650.

FUNCTION

The horizontal force-stroke characteristics in the working stroke range means that:

- a more or less linear force absorption can be achieved with constant stroke and increasing current absorption;
- a more or less linear stroke variation can be achieved when working against a spring and with increasing current absorption.

This ensures that the reference voltage is adequate at the specified reference temperature to reach the limit current in every case.

APPLICATION

Essential for hydraulic proportional-way-, pressure- and current valves. Because of the risk of overheating, the solenoid must never be used separately. The length of the fixing screws depends on the base material of the body. An o-ring is used for the valve seal. Information on screws and o-rings will be found in the data sheets relating to the valves concerned. Before changing the plug screw or the screw with integrated manual override, care must be taken to ensure that the solenoid is not under pressure. Risk of injury! The maximum operating pressure is determined by the valve actually used.

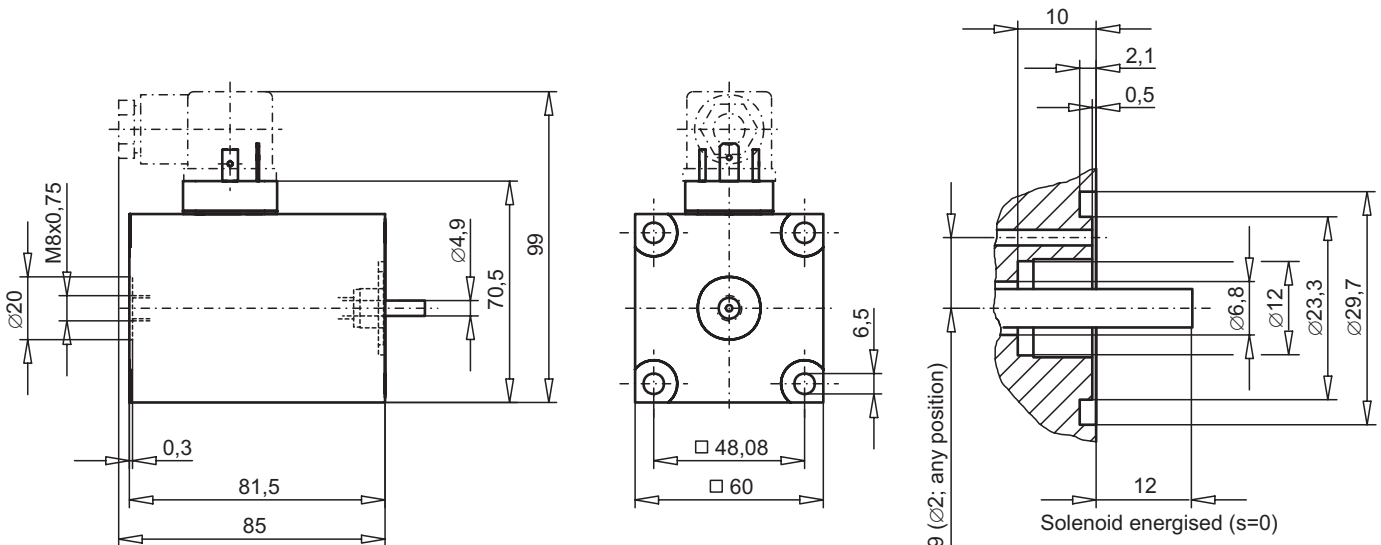
CONTENTS

DIMENSIONS 1
 CHARACTERISTICS 2
 PERFORMANCE 2
 ACCESSOIRES 2

TYPE CODE

Proportional solenoid Industry version		PI 60 V -	<input type="text"/>	- M40 -	<input type="text"/>	#	<input type="text"/>
Square 60 mm housing							
Solenoid completely potted							
Reference voltage	12 VDC	<input type="checkbox"/>	G12				
	24 VDC	<input type="checkbox"/>	G24				
Additional marking for special sealing to valve							
with mounted plug (data sheet 1.1-300)		<input type="checkbox"/> HB0					
with mounted manual override (data sheet 1.1-300)		<input type="checkbox"/> HB8,5					
Design-Index (Subject to change)							

DIMENSIONS



CHARACTERISTICS

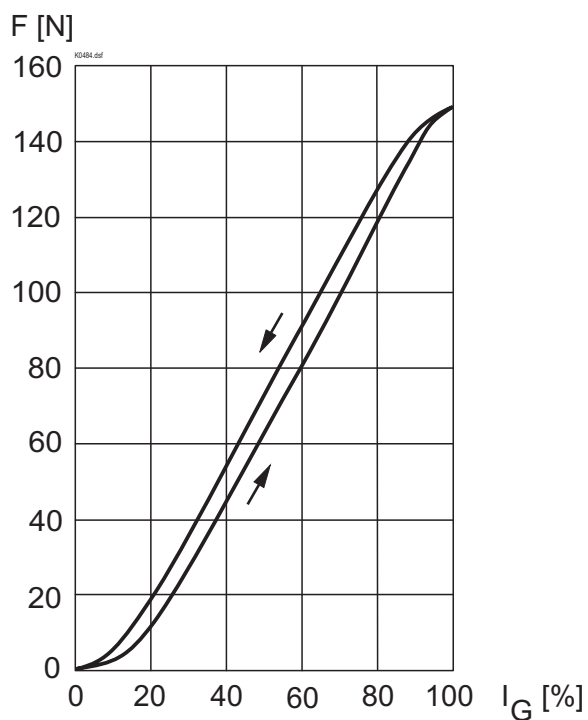
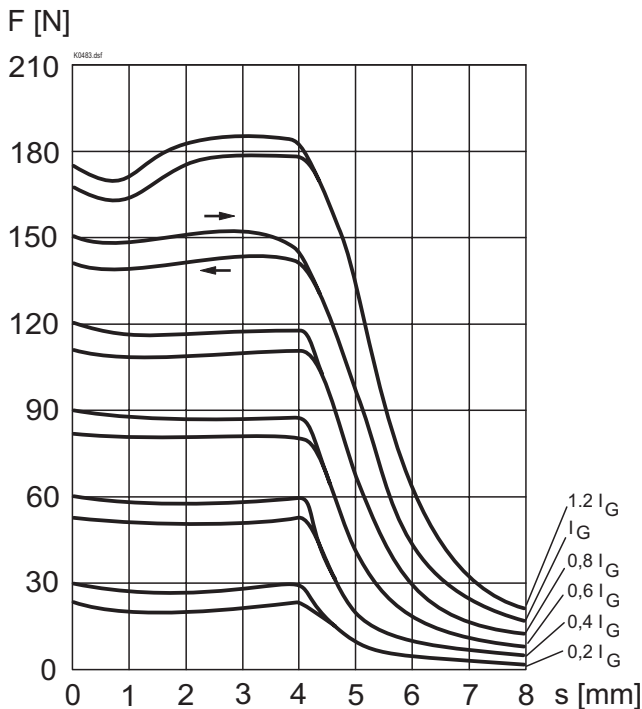
Static pressure tightness	350 bar (seal diameter of valve max. 29 mm) With seal diameter of valve = 32 mm: Static pressure tightness = 315 bar
Coil winding insulation class	F
Connection/Power supply	Over device plug connection to ISO 4400/DIN 43650, (2P+E), other connections on request
Protection class EN 60 529	IP65
Relative duty factor	100 %
Reference temperature	50° C
Seal	Viton, other on request
Fluid	Mineral oil, other on request
Mounting screws	4xM6 (quality 8.8)
Housing	Zinc coated steel housing, other surface treatments on request

		12VDC	24VDC
Totale stroke	(mm)	8	8
Working stroke	(mm)	4	4
Rated force	(N)	145	145
Hysteresis of rated force	(%)	5	5
Hysteresis of rated current	(%)	5	5
Nom. linearity deviation	(%)	2	2
Rated resistance	(Ω)	4,1	16,5
Rated current	(A)	2,3	1,15
Limiting current	(A)	2,3	1,15
Linearity current	(A)	0,3	0,15
Actuation current	(A)	0,1	0,05
Nominal wattage	(W)	22	22
Limiting current	(W)	28	28
Number of windings	(-)	780	1'580
Inductivity	(mH)	17	65
Armature weight	(kg)	0,102	0,102
Solenoid weight	(kg)	1,90	1,90

PERFORMANCE

F = f (s) Force-stroke characteristics

F = f (I) Force-current characteristics


ACCESSOIRES

Plug HB0 * article no. 239.2033
 Plug with integrated manual override HB8,5 * article no. 253.8002
 * acc. data sheet 1.1-300

Plug grey article no. 219.2001
 Plug black article no. 219.2002

Technical explanation see data sheet 1.1-410E