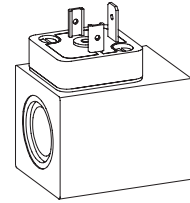


**Solenoid coil M.35/16x40  
 to VDE 0580  
 Protection class IP65**

**DESCRIPTION**

The slip-on solenoid coil M.35/16x40 is available with different types of electric connections (see type code). The construction corresponds to standard VDE 0580. The steel housing is zinc coated for high corrosion protection.

**FUNCTION**

In combination with the corresponding armature tube the function of an on-off solenoid or proportional solenoid will be obtained. The AC voltage type incorporates a rectifier. The available AC voltages are listed in the type code section.

**APPLICATION**

Due to its robust design the coil is mainly intended for hydraulic applications.  
**Caution:** To avoid overheating the coil may only be energised when mounted on an armature tube and valve.

**TYPE CODE**

	M	<input type="checkbox"/>	35 / 16 x 40	-	<input type="checkbox"/>	#	<input type="checkbox"/>
Metal housing, square							
<i>Electric connection:</i>							
Connector socket EN 175301-803/ISO 4400	<input type="checkbox"/>						
Connector socket AMP Junior-Timer	<input type="checkbox"/>						
Flying leads execution (length 500 mm)	<input type="checkbox"/>						
Coil types							
Tube hole diameter 16 mm							
Length							
<i>Standard-nominal voltage U<sub>N</sub>:</i>							
12 VDC					<input type="checkbox"/>		
24 VDC					<input type="checkbox"/>		
110 VAC					<input type="checkbox"/>	*	
115 VAC					<input type="checkbox"/>	*	
230 VAC					<input type="checkbox"/>	*	
* AC-Execution:							
- Only with connection type: «D»							
- 50 to 60 Hz							
- Rectifier integrated in the plug plate							
- Other nominal voltages and nominal power on request							
Design-Index (Subject to change)							

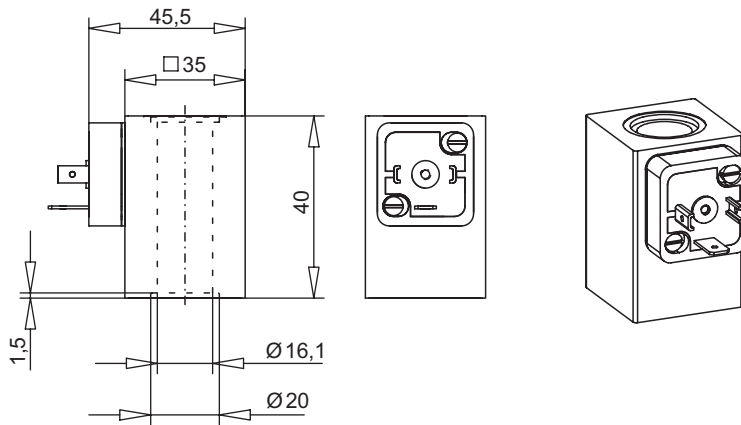
**SPECIFICATIONS**

Coil winding	min. F (155 °C)		<b>12 VDC</b>	<b>24 VDC</b>	<b>115 VAC</b>	<b>230 VAC</b>
insulation class		Nominal power	20	20	20	20
Relative duty factor	100% DF / ED	(On/off function)				
	when mounted on armature tube and valve	Nominal resistance (Ω)	7,5	29	530	2550
Reference temperature	50 °C	Weight of solenoid coil (kg)	0,28	0,28	0,28	0,28
Voltage range	10–250 VDC 24–250 VAC					

**SAFE OPERATION**

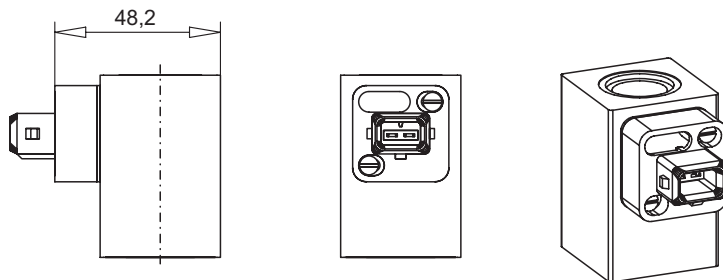
**Caution:** To avoid overheating the coil may only be energised when mounted on an armature tube and valve.

TYPE LISTE / DIMENSIONS / GENERAL SPECIFICATIONS



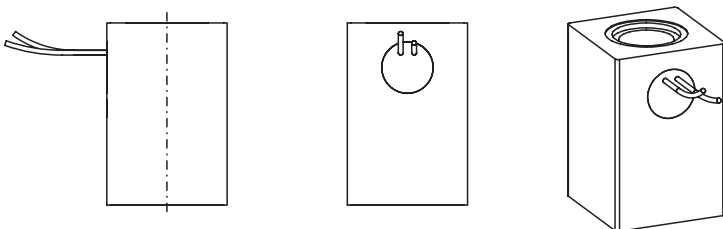
Execution: M **D** 35/16x40-...

- 3 contacts 2 P+E
- DC- and AC-execution available
- Connector socket plastic
- Protection class IP65  
With corresponding mating connector and professional assembly.



Execution: M **J** 35/16x40-...

- 2 contacts
- DC-execution available
- < 120 V external earth contact recommended
- > 120 V external earth contact necessary
- Connector socket plastic
- Protection class IP65  
With corresponding mating connector and professional assembly.



Execution: M **L** 35/16x40-...

- 2 leads (2x 0,25 mm<sup>2</sup>) Radox 155
- Cable length 500 mm
- DC-execution available
- < 120 V external earth contact recommended
- > 120 V external earth contact necessary
- Protection class IP65  
With professional assembly.

Technical explanation see data sheet 1.1-400