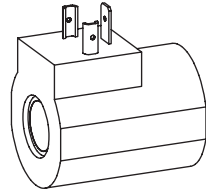


**Solenoid coil K.35/16  
 to VDE 0580  
 Protection class IP65**

**DESCRIPTION**

For the slip-on solenoid coil K.35/16 two types of electric connections are available (see type code). The construction corresponds to standard VDE 0580. The housing and connector socket are made of moulded plastic.

**FUNCTION**

In combination with the corresponding armature tube the function of an on-off solenoid or proportional solenoid will be obtained. The solenoid coils are available for standard-nominal voltages 12 VDC or 24 VDC.

**APPLICATION**

The solenoid coils are intended mainly for hydraulic applications.

**Caution:** To avoid overheating the coil may only be energised when mounted on an armature tube and valve.

**CONTENT**

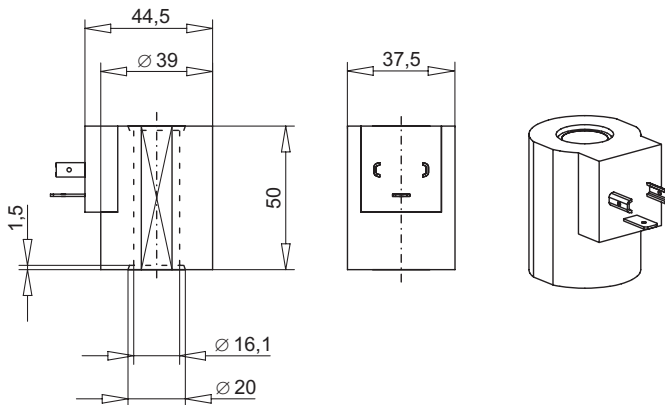
|                               |   |
|-------------------------------|---|
| TYPE LISTE / DIMENSIONS ..... | 1 |
| SPECIFICATIONS .....          | 1 |
| SAFE OPERATION .....          | 1 |

**TYPE CODE**

|                                       |                          |                          |                          |     |                          |   |                          |
|---------------------------------------|--------------------------|--------------------------|--------------------------|-----|--------------------------|---|--------------------------|
| Plastic coil                          | K                        | <input type="checkbox"/> | 35 / 16                  | -   | <input type="checkbox"/> | # | <input type="checkbox"/> |
| Mobile type                           |                          |                          |                          |     |                          |   |                          |
| Electric connection:                  |                          |                          |                          |     |                          |   |                          |
| Connector socket ISO 4400 / DIN 43650 | <input type="checkbox"/> | D                        |                          |     |                          |   |                          |
| Connector socket AMP Junior-Timer     | <input type="checkbox"/> | J                        |                          |     |                          |   |                          |
| Coil type                             |                          |                          |                          |     |                          |   |                          |
| Tube hole diameter 16 mm              |                          |                          |                          |     |                          |   |                          |
| Standard-nominal voltage $U_N$ :      | <input type="checkbox"/> | 12 VDC                   | <input type="checkbox"/> | G12 |                          |   |                          |
|                                       | <input type="checkbox"/> | 24 VDC                   | <input type="checkbox"/> | G24 |                          |   |                          |
| Design-Index (Subject to change)      |                          |                          |                          |     |                          |   |                          |

**TYPE LISTE / DIMENSIONS**

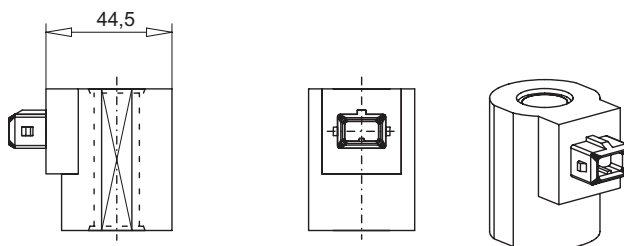
Execution: K  D 35/16-... / 3 contacts 2 P+E


**SPECIFICATIONS**

|                               |   |
|-------------------------------|---|
| Coil winding insulation class | min. F (155° C)                                 |
| Protection class              | IP65 acc. to EN 60 529 (if correctly mounted)   |
| Relative duty factor          | 100% DF when mounted on armature tube and valve |
| Reference temperature         | 50° C   |

|                                       |      | 12 VDC | 24 VDC |
|---------------------------------------|------|--------|--------|
| Nominal power (On/off function)       | (W)  | 26     | 26     |
| Nominal power (Proportional function) | (W)  | 8,1    | 8,1    |
| Rated current (Proportional function) | (A)  | 1,25   | 0,68   |
| Nominal resistance                    | (Ω)  | 5,5    | 21     |
| Inductivity                           | (mH) | 6      | 21     |
| Weight of solenoid coil               | (kg) | 0,25   | 0,25   |

Execution: K  J 35/16-... / 2 contacts


**SAFE OPERATION**

**Caution:** To avoid overheating the coil may only be energised when mounted on an armature tube and valve.

Technical explanation see data sheet 1.1-400E