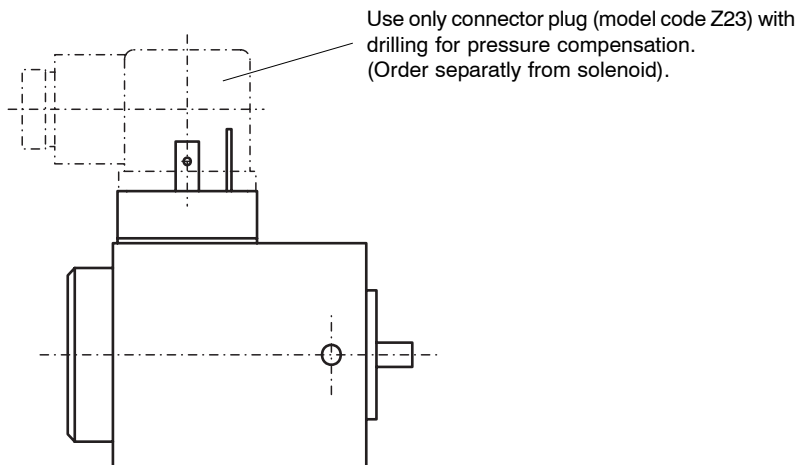


**Solenoid with pressure compensation
(DC voltage only)**

M35

DIMENSIONS



Dimensions see standard solenoid

SPECIFICATIONS

See standard solenoid

APPLICATION

For subsea applications where solenoid is placed in oil filled box and separated from sea water.

ORDERING EXEMPLE SOLENOIDS

Solenoid- Industry version	SI	S	45	-	<input type="checkbox"/>	-	M35	-	HB0	#	<input type="checkbox"/>
Super											
Square 45 mm housing											
Standard nominal voltage U _N	12 VDC	<input type="checkbox"/>	G12								
	24 VDC	<input type="checkbox"/>	G24								
Other nominal voltages and nominal performances on request											
Code for pressure compensation											
with mounted plug (data sheet 1.1-300)											
Design-Index (Subject to change)											

ORDERING EXEMPLE VALVE

WDSFA06 - ACB - G24 - **M35**

Technical explanation see data sheet 1.1-400E