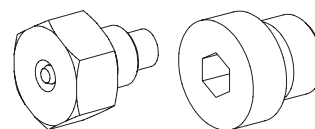


Plug screw with or without integrated manual override

DESCRIPTION

The plug screws are screwed into the solenoids. Two different types are available: A normal plug is made of zinc coated steel and a plug with integrated manual override made of phosphatized steel. The pin is of stainless steel.

FUNCTION

By commissioning a machine or if the power supply fails, the manual override can take over the function of the solenoid.

APPLICATION

As a standard all solenoids for poppet valves and soft reversal spool valves are equipped with plug HB0. Allowing to bleed the air from valves as recommended in data sheets 1.11 and 1.4. For functional reasons plugs HB4,5, HB6 and HB8,5 may only be fitted to the appropriate solenoid types as listed below. All solenoid operated spool valves (except soft reversal types) are equipped with plugs with integrated manual override. With the plugs with integrated manual override it is not possible to bleed air from valves.

CONTENT

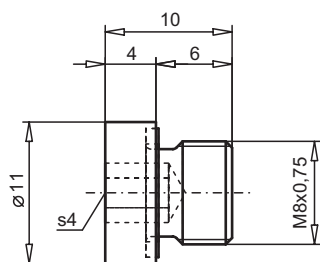
DIMENSIONS	1
PARTS LIST	1

TYPES

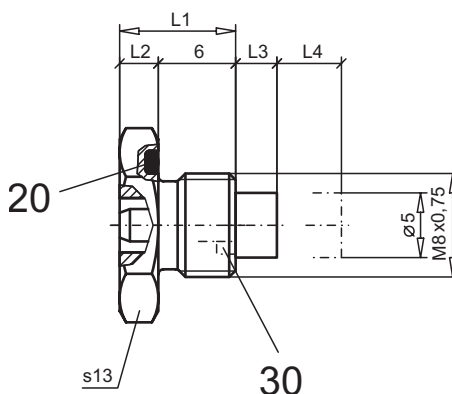
Type/Article no.	Solenoid types
Plug without manual override HB0 Article no. 239.2033	Suitable for all standard-solenoid types
Plug with integrated manual override HB 4,5 Article no. 253.8000	SIN29V / SIS29V / PI29V / BSIIIIV SIN35V / SIS35V / PI35V / BEIIV
HC 4,5 Article no. 253.8017	SM35/16S / SMC35/18S / PM35/16S
HB 6 Article no. 253.8001	SIN45V / SISV45 / PI45V
HB 8,5 Article no. 253.8002	SIN60V / SIS60V / PI60V

DIMENSIONS

Plug HB0



Plug with integrated manual override



	L1	L2	L3	L4
HB 4,5	9	3	3,2	5
HB 6	10,5	4,5	3,7	6,5
HB 8,5	13	7	4,2	9
HC 4,5	9	3	9,7	5

PARTS LIST

Position	Article	Description
20	160.6076	O-ring Viton 75 Shore ID 7,65x1,78
30	160.6026	O-ring Viton 75 Shore ID 2,6x1,20