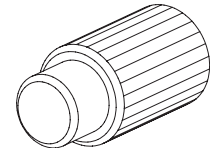


Manual Overrides with spring return or combined with spring return and detent



DESCRIPTION

The manual overrides are screwed into the solenoid. Two types of overrides are available: one with spring reset and one with spring reset plus locking in the switched position. The housing is brass as standard. The pin is stainless steel.

FUNCTION

When commissioning a machine or if the power supply fails, the solenoid function can be replaced by operating the manual override. In the case of the type with lock, the solenoid can also be held in the end position.

APPLICATION

Both types of manual override can be screwed into solenoids with an M8x0,75 thread. With the manual override it is not possible to bleed air from valves. Note: Only restricted use for poppet valve.

CONTENT

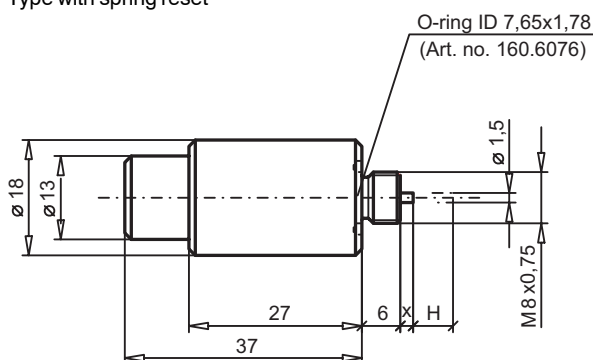
DIMENSIONS 1

TYPES

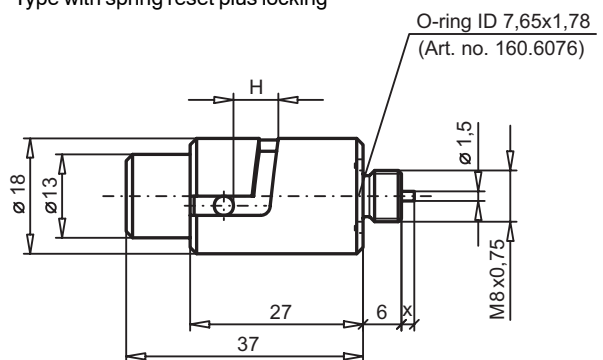
Solenoid type	Manual overrides				
	Spring offset		Detent		
	Bez.	Art. Nr.	Bez.	Art. Nr.	
Square 29-solenoids (NG3)	BSIII V	H1	253.9000	H6	253.9012
	SIN29V	H1	253.9000	H22	253.9012
	SIS29V	H1	253.9000	H22	253.9012
	PI29V	H1	253.9000		
Square 35-solenoids (NG4)	BEIII V	H1	253.9000	H3	253.9500
	SIN35V	H1	253.9000	H6	253.9502
	SIS35V	H1	253.9000	H6	253.9502
	PI35V	H1	253.9000		
Square 45-solenoids (NG6)	SIN45V	H1	253.9000	H19	253.9013
	SIS45V	H1	253.9000	H19	253.9013
	PI45V	H1	253.9000		
Square 60-solenoids (NG10)	SIN60V	H21	253.9015	H20	253.9014
	SIS60V	H21	253.9015	H20	253.9014
	PI60V	H21	253.9015		

DIMENSIONS

Type with spring reset



Type with spring reset plus locking



Type	x	H	Type	x	H
H1	0	max.10	H19	0,3	10
H3	0	8	H20	4	10
H6	-1	10	H21	4	max.10
			H22	-1	8